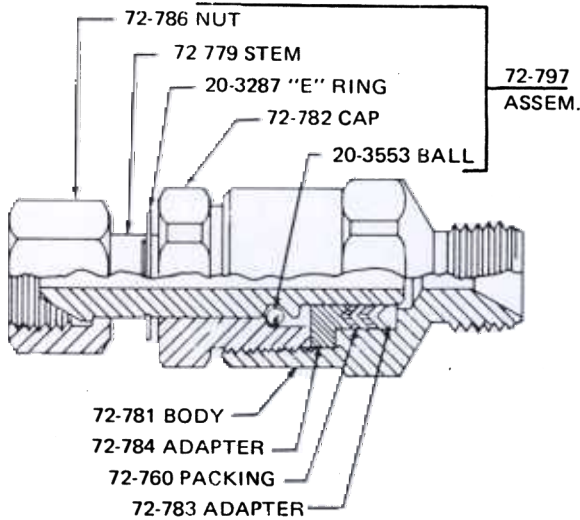
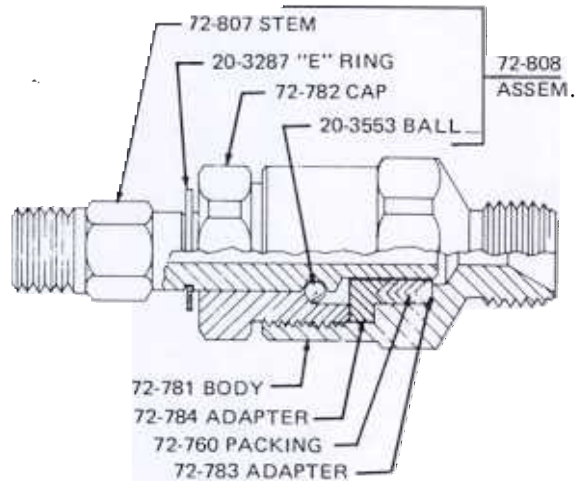


**Binks HI-PRESSURE SWIVEL CONNECTIONS**  
**MODEL 72-780 (1/4 N.P.S. Swivel Nut X 1/4 N.P.S. (M)**  
**MODEL 72-810 (1/8 N.P.T. (M) X 1/4 N.P.S. (M)**



**MODEL 72-780**



**MODEL 72-810**

**PARTS LIST**

PART NO.	DESCRIPTION	QUANTITY	
		72-780	72-810
20-3287	RETAINER RING . . . . .	1	1
20-3553	3/32 DIA. ST. STL. BALL . . . . .	13	13
72-760	"V" PACKING . . . . .	4	4
72-779	STEM . . . . .	1	-
72-781	BODY . . . . .	1	1
72-782	CAP . . . . .	1	1
72-783	ADAPTER (M) . . . . .	1	1
72-784	ADAPTER (F) . . . . .	1	1
72-786	SWIVEL NUT . . . . .	1	-
72-797	SWIVEL STEM ASSEMBLY . . . . .	1	-
72-807	STEM . . . . .	-	1
72-808	SWIVEL STEM ASSEMBLY . . . . .	-	1

Printed in USA 9/84



MANUFACTURING COMPANY  
 9201 West Belmont Avenue, Franklin Park, Illinois 60131

Replaces  
 Part Sheet  
 1576

Part Sheet  
 1576R